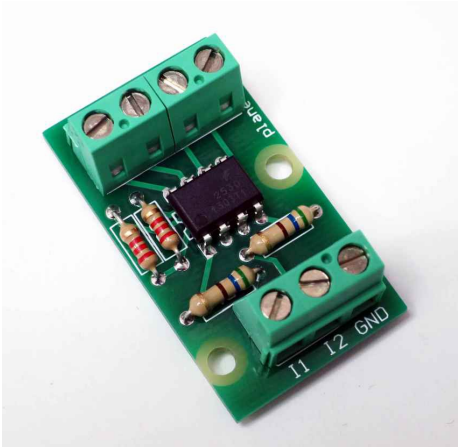
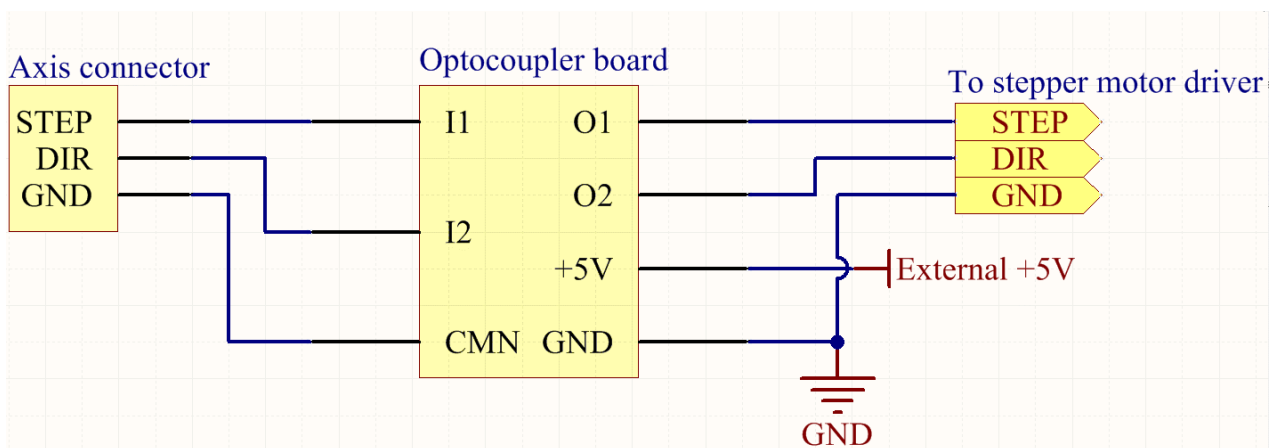


Using adapter with optocoupler

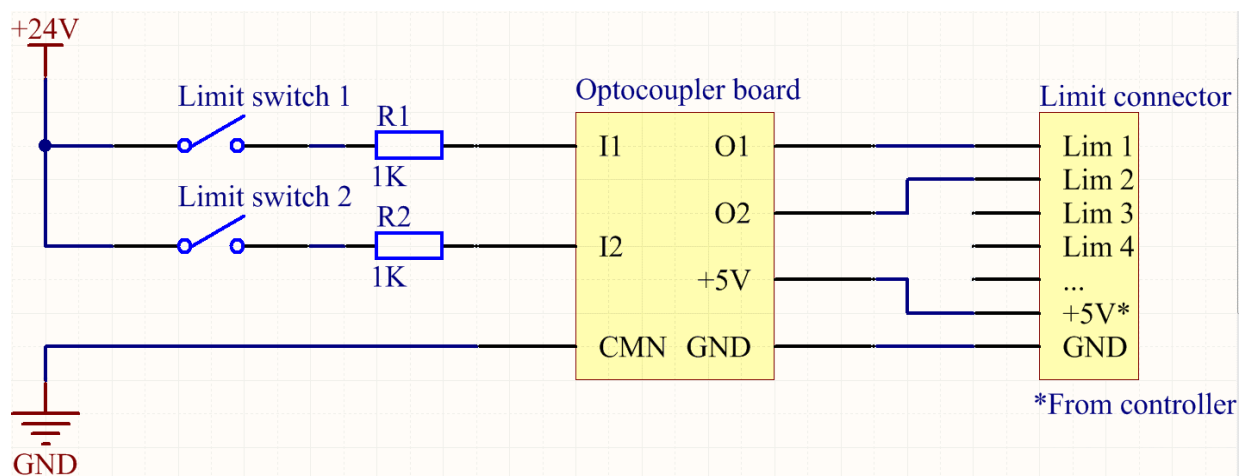
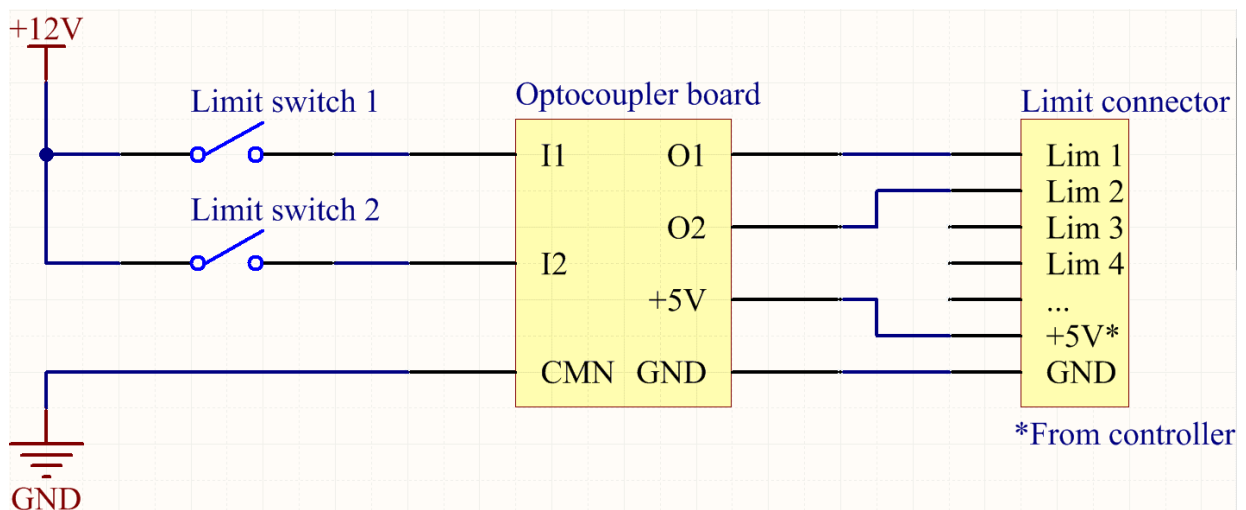


Bottom wiring diagrams demonstrate various uses of adapter with optocoupler.

Optoisolated axis output:

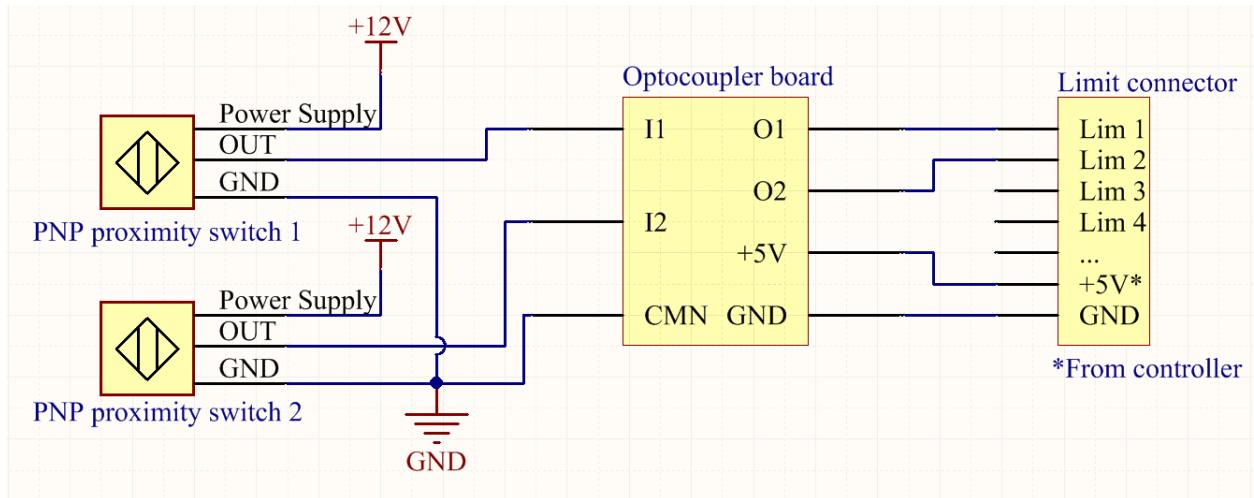


Optoisolated limit switch inputs:



Using PNP proximity switches with optocoupler adapter:

With 12V power supply:



With 24V power supply:

